

Figure S11: Comparison of the XANES spectra recorded for Cerium(III) acetylacetonate $\text{Ce}(\text{acac})_3$ (left) and Cerium(IV) ammonium nitrate (right) in the step-by-step monochromator mode (solid line) and the QEXAFS mode (double dotted dashed line) at the ANKA XAS beamline.

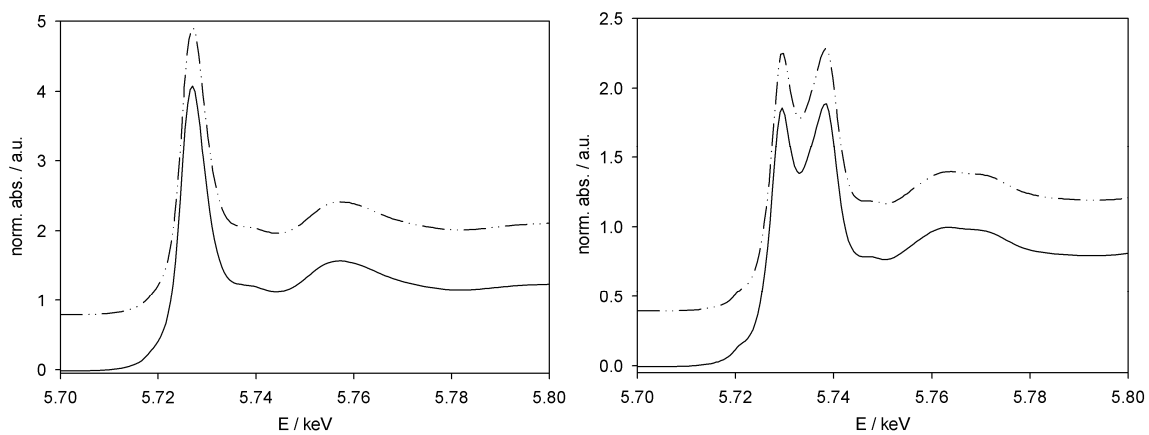


Figure SI2: Details of the spacer (G) (top and middle) and the tube with screw thread (J) (bottom). Right: side view, Left: Top view. Measures are given in millimeters.

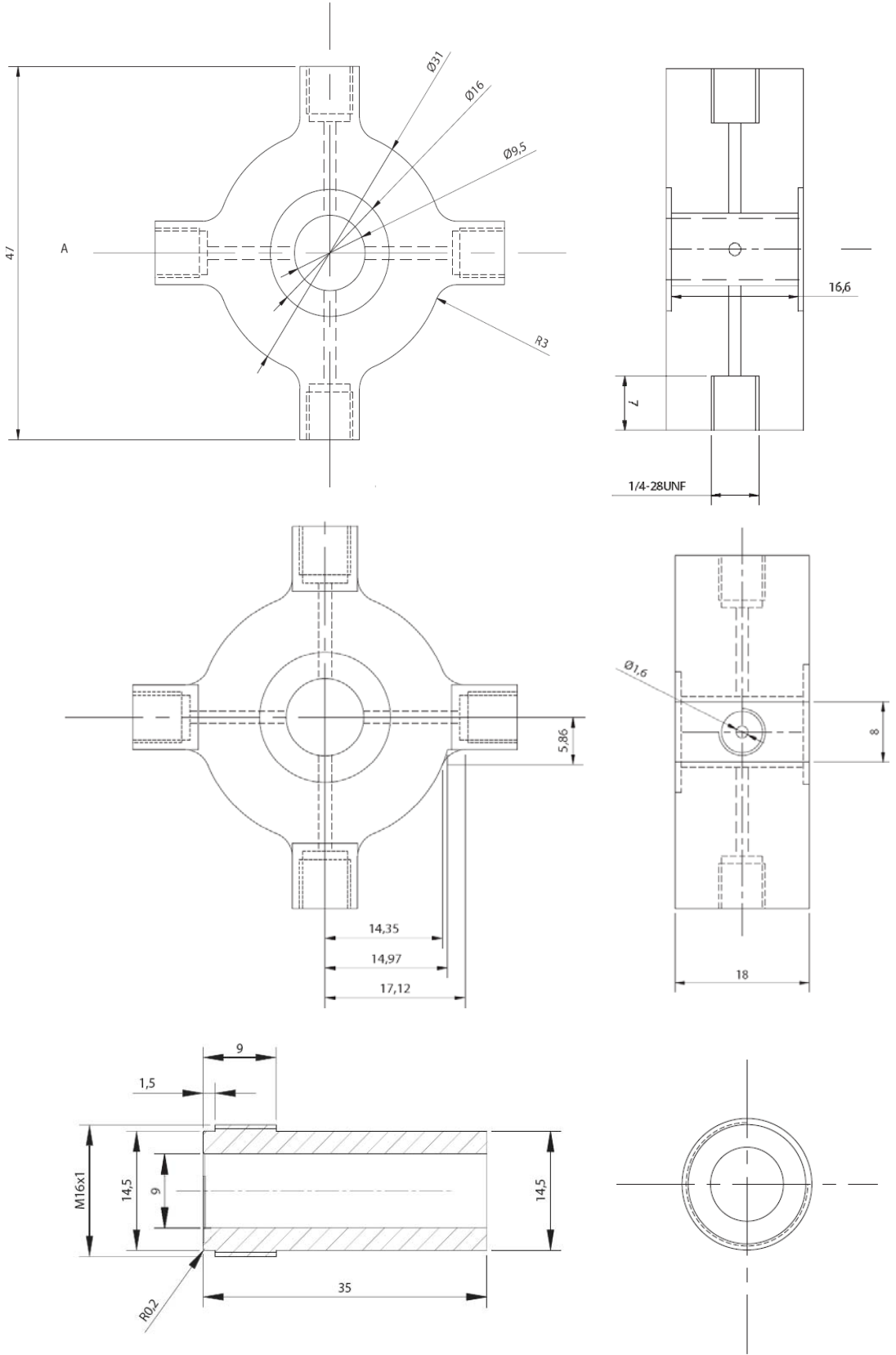


Figure SI3: Left: picture of the USB2000 spectrometer (with permission from OceanOptics Mikropack). Right: Schematic presentation of the optical bench used in the spectrometer: (1) SMA connector, (2) Entrance slit, (3) Filter, (4) Collimating mirror, (5) Grating, (6) Focusing mirror, (7) Detector collimating lens, (8) CCD detector.

